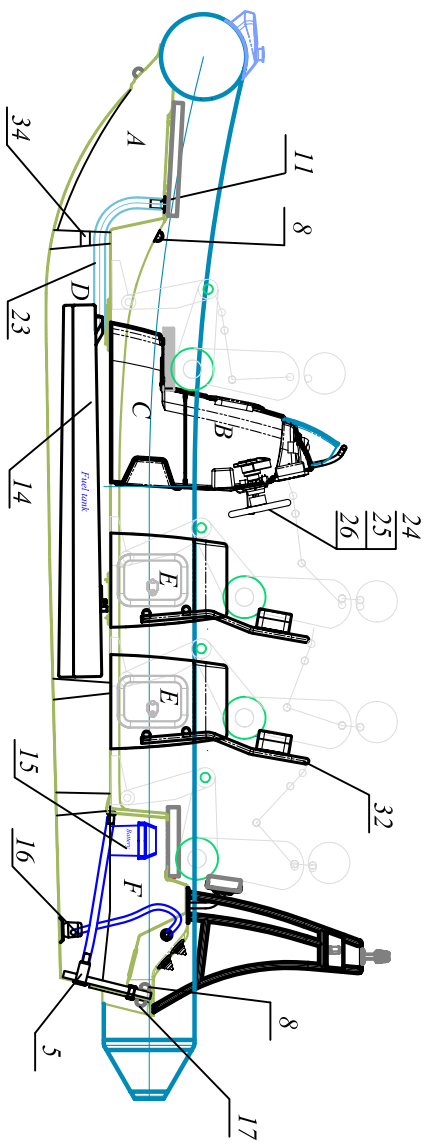
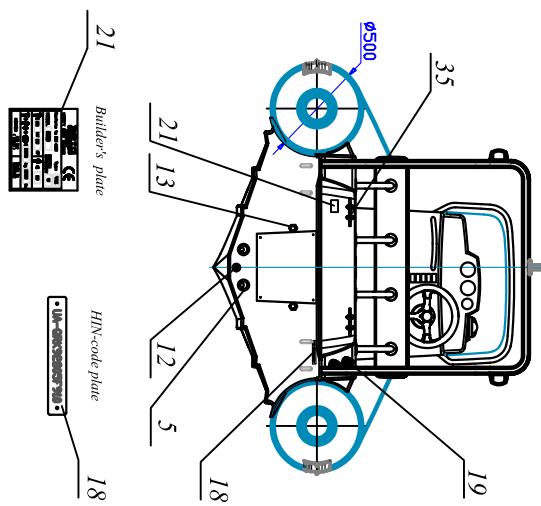
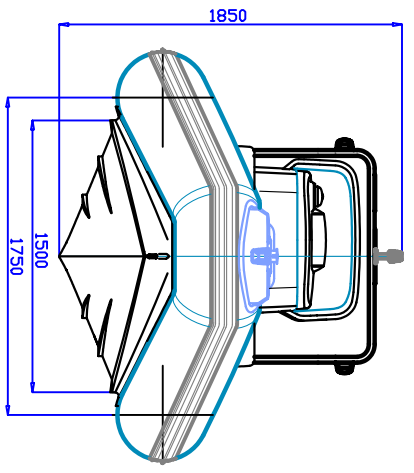
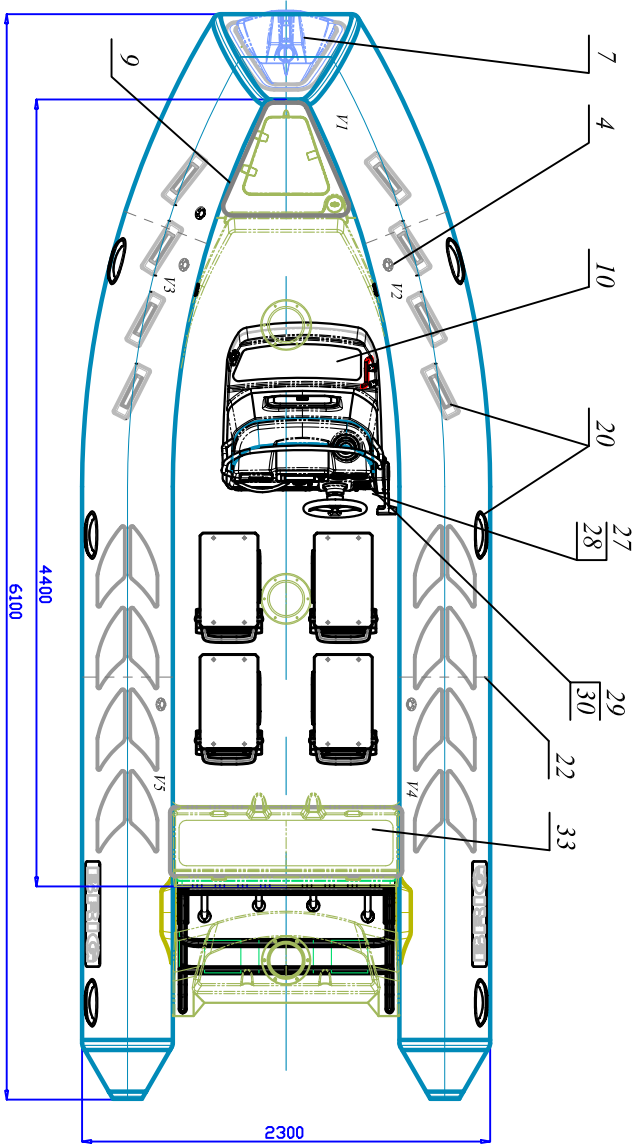
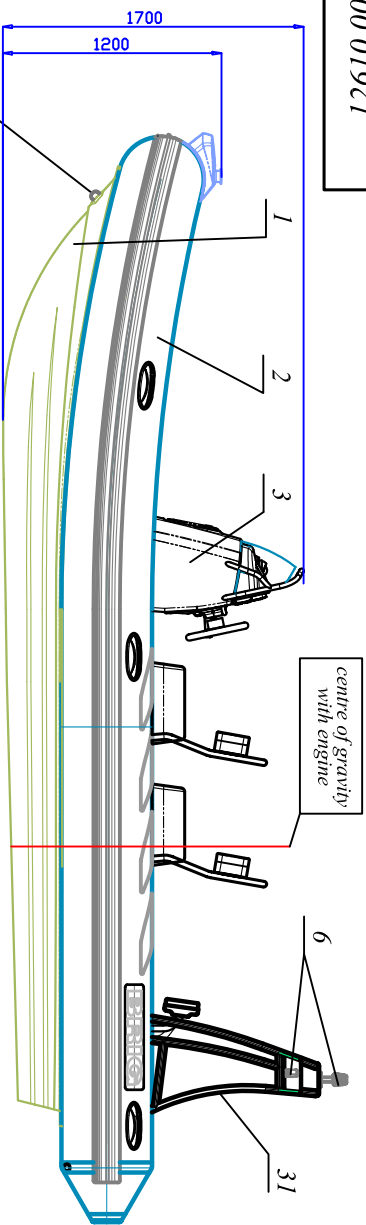


G 00101921



1. Inflatable tube compartments: V1, V2, V3, V4, V5
 $V1=0,42m^3$
 $V2=1,3=0,44m^3$
 $V4=V5=0,50m^3$
 Buoyancy chambers volume 2,30 m³
2. Inside compartments: A, B, C, D, E, F.

12610.00.G			
Rigid Inflatable Boat			
N610			
General View			
№	date	signature	initials
1	57/06		
sheet 1		of 3	
BRIG Ltd			
Kyiv, Ukraine			

Zone	Pos.	Mark	Description	Q-ty	Rem.
	1		Rigid hull	1	
	2		Inflatable tube	1	
	3		Steering console	1	
	4		Inflate valve	5	
	5		Chain drain valve (inside diameter 25mm)	2	
	6		Navigation lights	3	
	7		Bow plate	1	
	8		Lifting eye	4	
	9		Bow removable cushion	1	
	10		Locker with cushion	1	
	11		Fuel tank neck	1	
	12		Bilge Valve (inside diameter 15mm)	1	
	13		Drain Valve(inside diameter 25mm)	2	
	14		Fuel tank with fuel level sender	1	
	15		Battery box	1	
	16		Bilge pump	1	
	17		Towing boy eye	3	
	18		HIN-code plate	1	
	19		Outlet for remote control and steering cable	2	
	20		Handle	14	
	21		Builder's plate	1	
	22		Partition	4	
	23		Fuel Hoses	—	
	24		Steering mechanism	1	
	25		Steering wheel	1	

Lef	Quant	N docum.	Signat.	Date	12610.00.G	Sheet
						2

Zone	Pos.	Mark	Description	Q-ty	Rem.
	26		Steering cable	1	
	27		Speedometer	1	
	28		Tachometer	1	
	29		Fuel level indicator	1	
	30		Compass	1	
	31		Stainless Steel Arc	1	
	32		Seat	4	
	33		Rear Seat	1	
	34		Fuel tank ventilation (inside diameter 34mm)	2	
	35		Mooring cleat	2	
			Foot pump	1	
			Repair kit with the set of glue	1	
			User's manual	1	
			Mooring line	18	metre
			Carry bag	1	
			Oars	2	
			<u>Optional equipment:</u>		
			Overd cover	1	
			Overd cover for steering console	1	

Lef	Quant	N docum.	Signat.	Date	12610.00.G	Sheet
						3