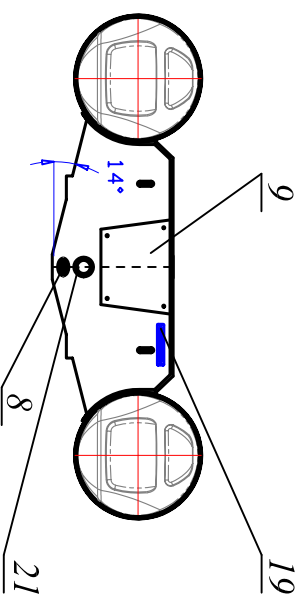
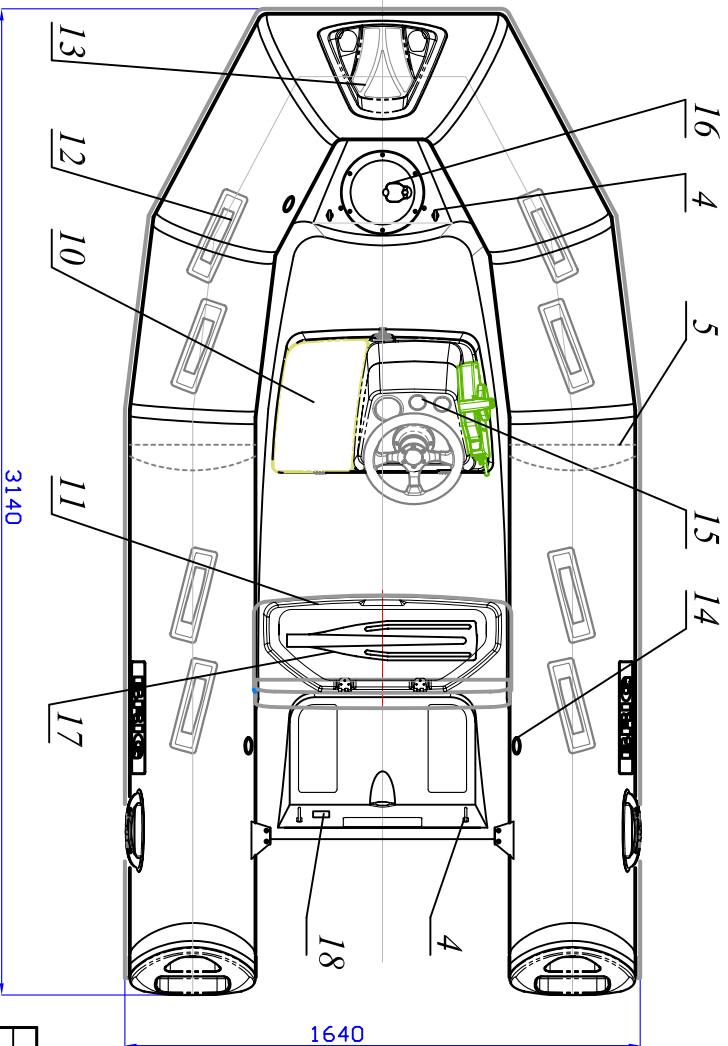
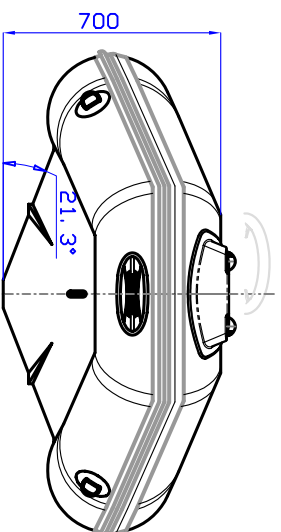
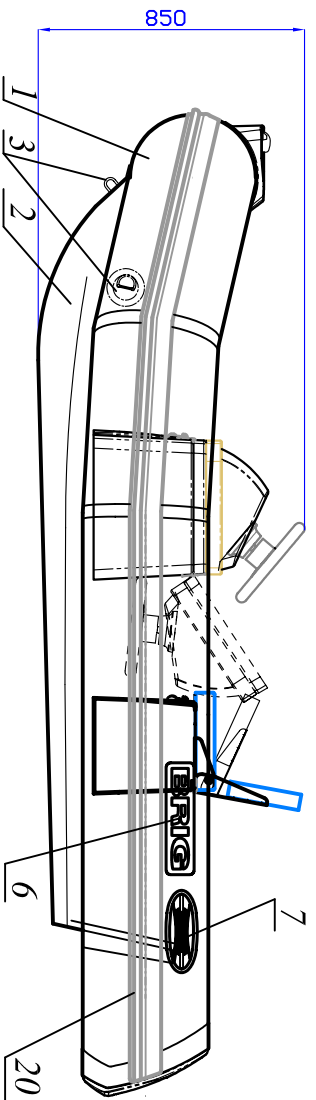


1148.00G



Inflatable tube compartments: V1, V2, V3. (0.84m³)
 Waterproof Rigid Hull : V4 (0.08m³)
 Buoyancy chambers volume 0.92m³

1148.00G			
Rigid Inflatable Boat		let.	mass
F330T			107
General plan		sheet 1	sheets 2
"BRIG"			
Let	Gyan	N.Dacum.	Sigum.
Projet	Kazantsov		Date
Control	Nesvizskiy		
Tech-control			
Qub-control			
Confim			