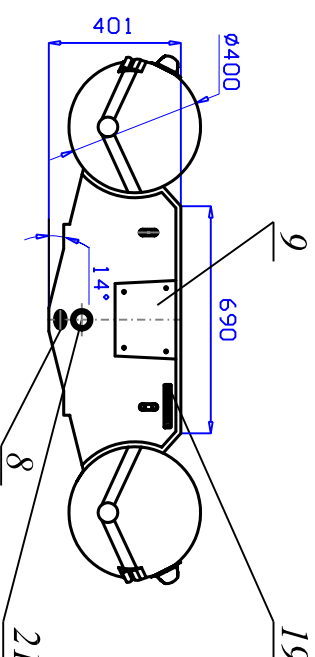
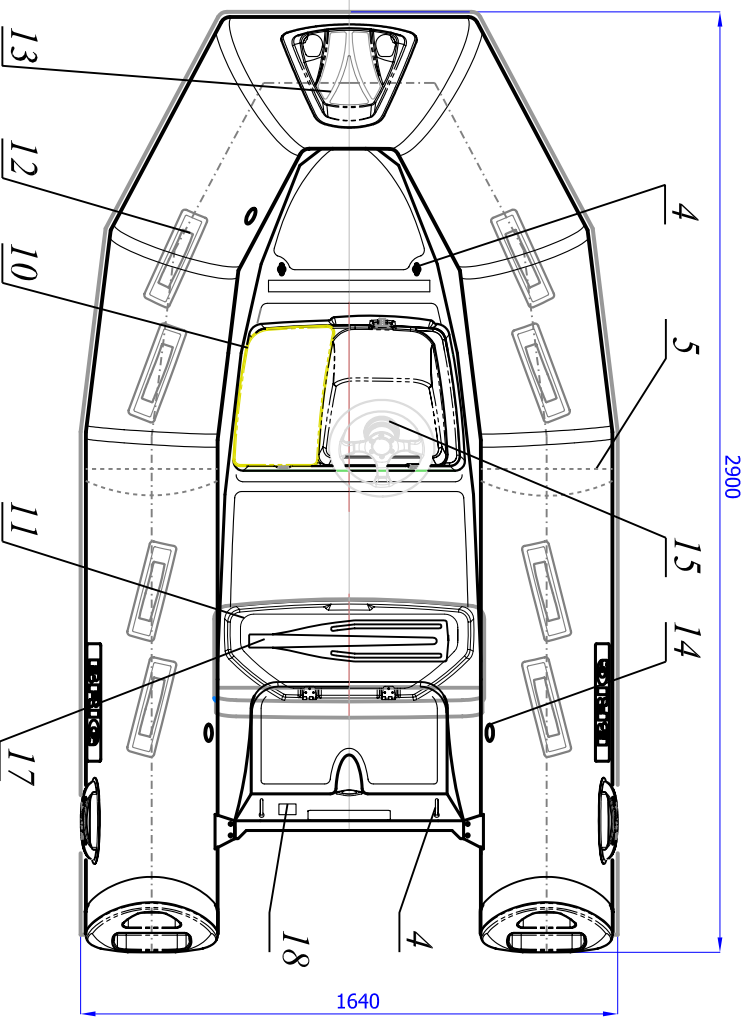
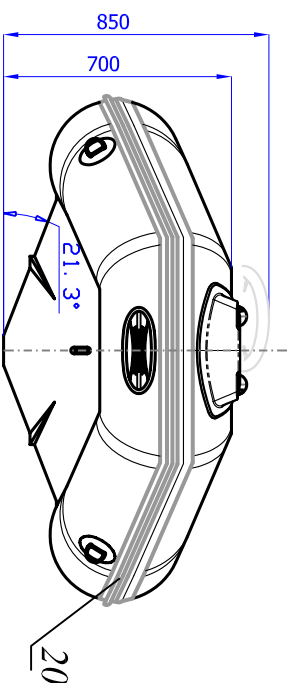
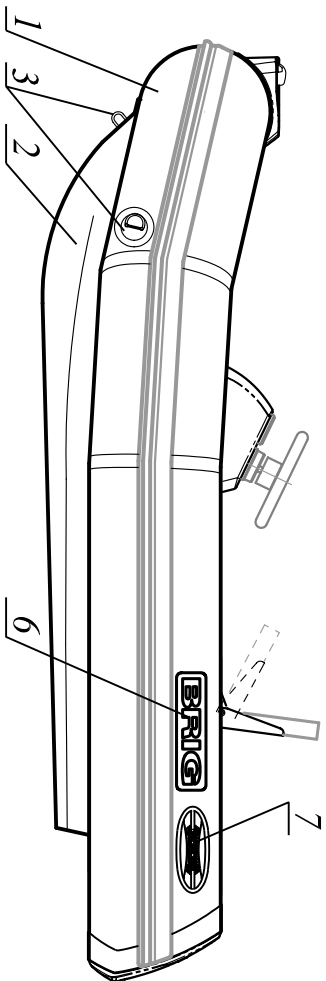


1144.00



Inflatable tube compartments: V1, V2, V3. (0.75m³)
 Waterproof Rigid Hull : V4 (0.06m³)
 Bouyancy chambers volume 0.81m³

1144.00				Let	mass	scale
Rigid Inflatable Boat					92kg	
F300T				sheet	1	sketches
General plan					2	
Qib-control						
Confim						
Let	Qyun	N Docum.	Signat.	Date		
Prolog	Kazarinov					
Control	Nesyzhskiy					
Tech.control						