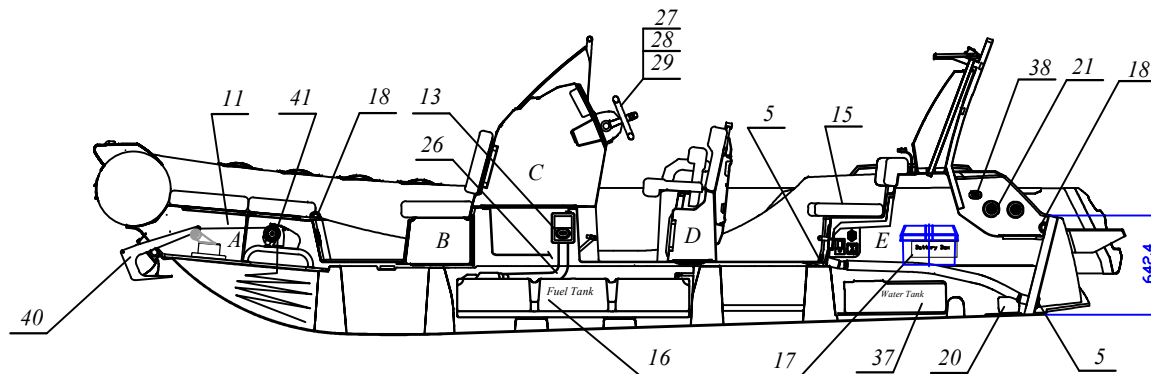
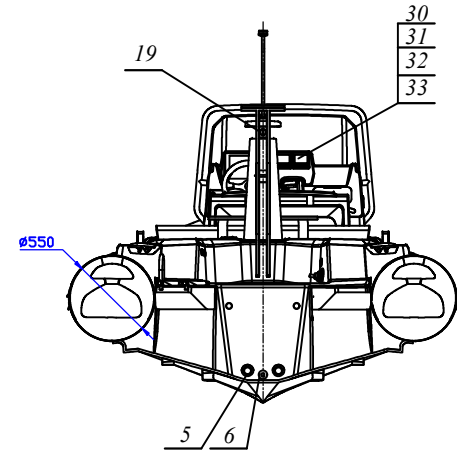
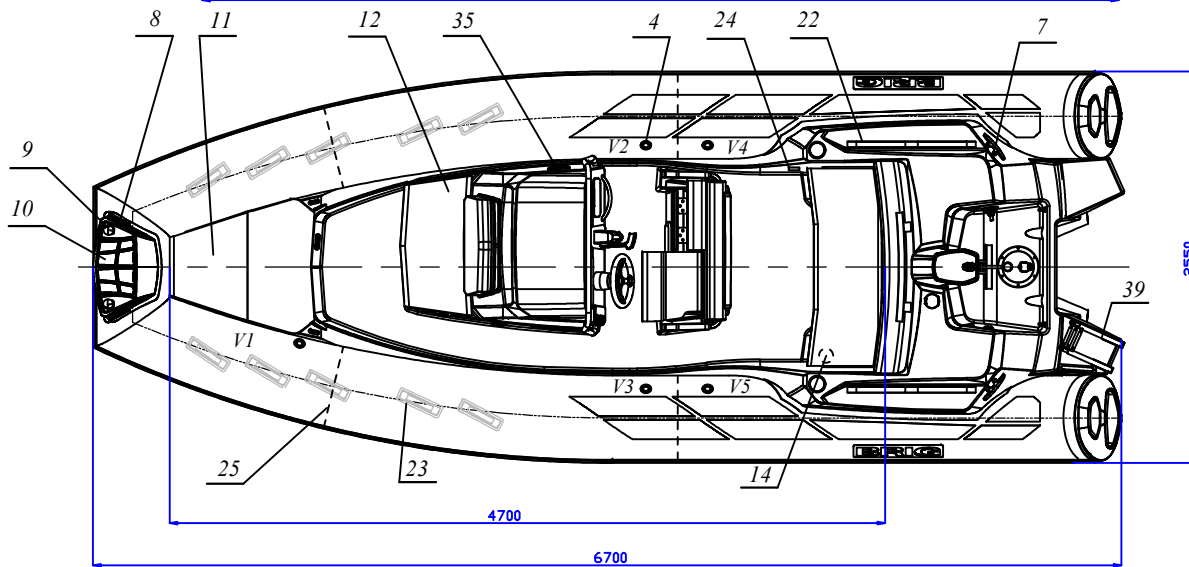
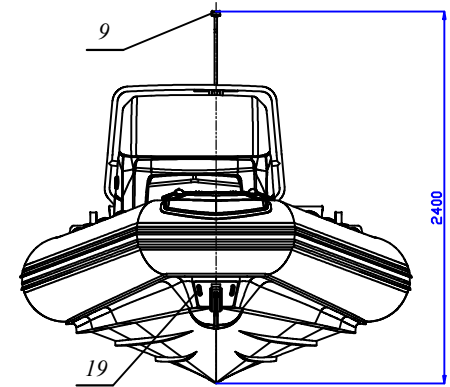
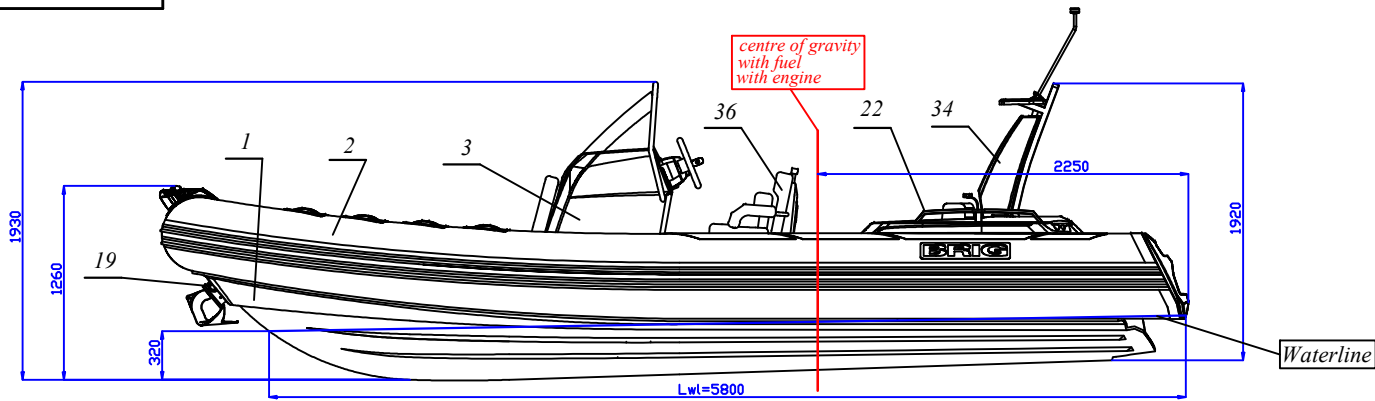


D'00.0Z91



1. Inflatable tube compartments: V1, V2, V3, V4, V5.  
 $V1=0.58m^3$   
 $V2=V3=0.57m^3$   
 $V4=V5=0.645m^3$   
 Buoyancy chambers volume 3.01m<sup>3</sup>
2. Inside compartment: A, B, C, D, E.
3. Waterline - Loaded displacement mass

					<b>1670.00.G</b>			
let	Cpau	N Docum	Signat	Date	Rigid Inflatable Boat Eagle 6.7			
Project	Kazarinov							
Control	Nesvyzhskiy				let	mass	scale	
Tech.control	Redko				sheet	1	sheets	3
Confirm					General View			
					BRIG Ltd Kharkov, UKRAINE			

Zone	Poz.	Mark	Description	Q-ty	Rem.
	1		Rigid hull	1	
	2		Inflatable tube	1	
	3		Steering console	1	
	4		Inflate valve	5	
	5		Drain valve (inside diameter 45mm)	4	
	6		Drain bilge valve	1	
	7		Stern mooring cleat	2	
	8		Bow mooring cleat	2	
	9		Navigation lights	3	
	10		Bow plate	1	
	11		Bow locker with curshion	2	
	12		Seat with curshion	1	
	13		Fuel tank neck	1	
	14		Water tank neck	1	
	15		Stern seat	1	
	16		Fuel tank 200L with fuel level sender	1	
	17		Battery box	1	
	18		Lifting boy eye	4	
	19		Towing boy eye	3	
	20		Bilge pump	1	
	21		Outlet for remote control and steering cable	2	
	22		Handrail	2	
	23		Handle	10	
	24		Builder's plate	1	
	25		Partition	4	

Let	Cpan	N docum.	Signat.	Date	<b>1670.00.G</b>	Sheet
						2

Zone	Poz.	Mark	Description	Q-ty	Rem.
	26		Fuel Hoses	—	
	27		Steering mechanisme	1	
	28		Steering wheel	1	
	29		Steering cable	1	
	30		Speedometer	1	
	31		Tachometer	1	
	32		Fuel level gauge	1	
	33		Compass	1	
	34		Arch	1	
	35		Horn	1	
	36		Pilot seat	1	
	37		Water tank 43L with shower	1	
	38		Fuel tank ventilation (inside diameter 16mm)	1	
	39		Ladder	1	
	40		Anchor	1	
	41		Electric windlass	1	
	—		Oars	2	
	—		Foot pump	1	
	—		Repair kit with the set of glue	1	
	—		Owner's manual	1	
			<u>Optional equipment:</u>		
	—		Overal cover	1	
	—		Sun top	1	
	—		Sun Deck with cushions	1	

Let	Cpan	N docum.	Signat.	Date	<b>1670.00.G</b>	Sheet
						3